

Special Thanks

Event Sponsors

VFW District 20
VFW Post 275 Round Mountain
VFW Post 1932 Red Bluff
VFW Post 1934 Redding
VFW Post 5689 Burney
VFW Post 7705 Weaverville
VFW Post 9560 Anderson
VFW Post 9546 Hayfork

VFW District 20 Deployment Committee

Larry Spurlin - Chairman
Canaan Boswell - Co Chairman
Don Wehunt
Hershel Lowe
Bruce Black
Bill George
Rudy Castaneda
Cuz Lyons

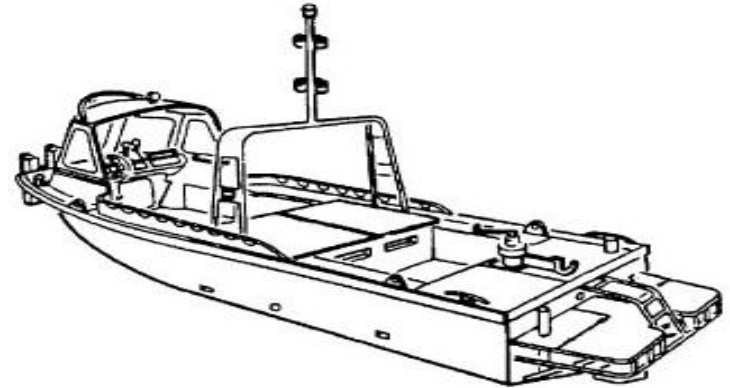
Contributors

Howard Dahl - Allen and Dahl
North Valley Bank
Tri Counties Bank
Redding Distributors
Bob Kassis
Hen House
CocaCola
John Whittaker

Special Thanks to the Redding American Legion -
Donation of Children's back packs.

We gratefully acknowledge Advance Redding for all of their
sound advice and support.

132nd MRBC Deployment Ceremony



**Sponsored and Hosted by
the VFW**

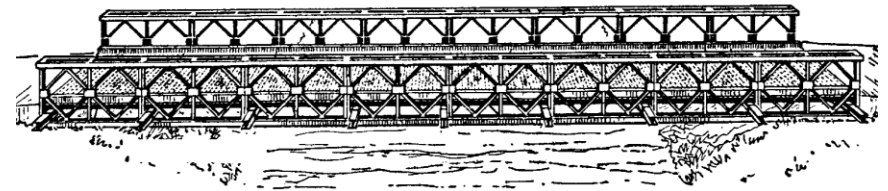
**February 18, 2012
Redding Civic Auditorium**

Welcome

On Behalf of the California Veterans of Foreign Wars and the California National Guard, welcome to the Deployment Ceremony for the 132nd Multi-Role Bridge Company

The 132nd is the local National Guard unit for the Redding, Mt. Shasta and Eureka area communities. They are deploying this month to Afghanistan in support of Operation Enduring Freedom. The 132nd will construct, inspect, repair and maintain bridge systems and equipment throughout Afghanistan

This event was sponsored and coordinated by the VFW to recognize the service of our National Guard and provide an opportunity to wish them well on their upcoming deployment.



Event Schedule

- 1:00 P.M. Flag lined walkway – Patriot Guard Riders
- 1:00 P.M. Welcoming Music – Enterprise Jazz Ensemble
- 1:30 P.M. Arrival of 132nd MRBC Soldiers
- 2:00 P.M. Opening Remarks – Larry Spurlin, VFW
- 2:10 P.M. Opening Remarks – CPT Adam Rix
- 2:15 P.M. Posting of the Colors – 132nd MRBC Honor Guard
- 2:30 P.M. Invocation – Chaplain Harlan Confer
- 2:35 P.M. National Anthem – Chris McCandless
- 2:45 P.M. Welcome – Dick Dickerson, Mayor of Redding
- 2:50 P.M. Introduction of Major General Johnson – CPT Rix
- 2:55 P.M. Major General Scott Johnson, Commander, 40th ID
- 3:00 P.M. Introduction of Sr. Vice Commander Fulk – Larry Spurlin
- 3:05 P.M. VFW Senior Vice Commander Earl Fulk
- 3:10 P.M. Plaque Presentation – Karl & Linda Bott, KCNR Radio
- 3:15 P.M. Luncheon Buffett
- 4:15 P.M. Recognition of City and County Officials – Larry Spurlin
- 4:30 P.M. Closing Remarks – Larry Spurlin
- 4:35 P.M. Closing Remarks – CPT Adam Rix
- 4:40 P.M. Closing Prayer – Ken Williams, VFW Dist. 20 Chaplain
- 4:45 P.M. Retirement of the Colors – 132nd MRBC Honor Guard
- 5:00 P.M. Event Officially Concludes
- 5:05 P.M. Social Hour – Entertainment by RetroFit